

BIN WASH DOWN

Wall mounted



Viking Bin Wash Bay

Many water authorities require a Bin Wash to be installed in commercial premises such as restaurants, fast food outlets and coffee shops. Dirty bins are to be washed out so any greasy waste is collected in a Grease Interceptor.

Mounting

A perimeter flange is included with pre-drilled holes so the Bin Wash can be fixed to an existing wall. The Bin Wash is designed to be mounted close to floor level, generally outside the building. There should be sufficient space under the bin wash to connect a standard 50mm trap outlet. The trap is in-turn connected via pipe work to a grease interceptor.

The bin wash is fitted with an internal water spray nozzle. Water is to be supplied to the unit via a 15mm water pipe with a stop tap fitted. The water connection can either be hot or cold.

Operation

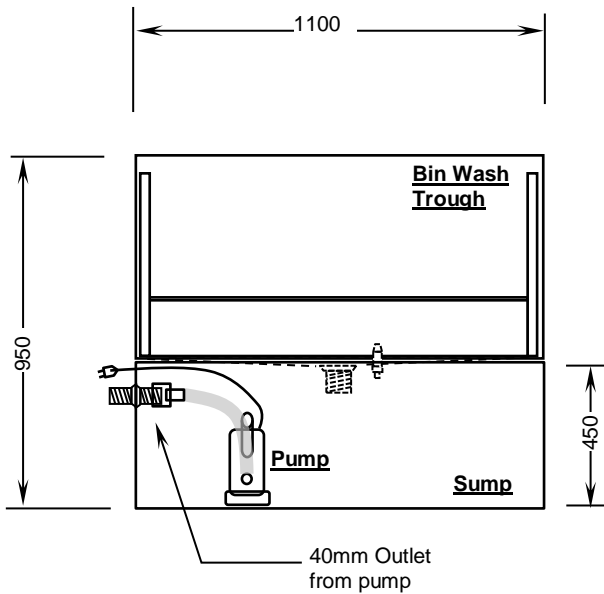
Remove any loose items from inside the bin. Place an upturned wheelie bin inside the wash bay. The external tap is turned on and the waste is washed from inside the wheelie bin. The waste water from the Bin Wash flows to the connected grease interceptor.

Plumbing connections

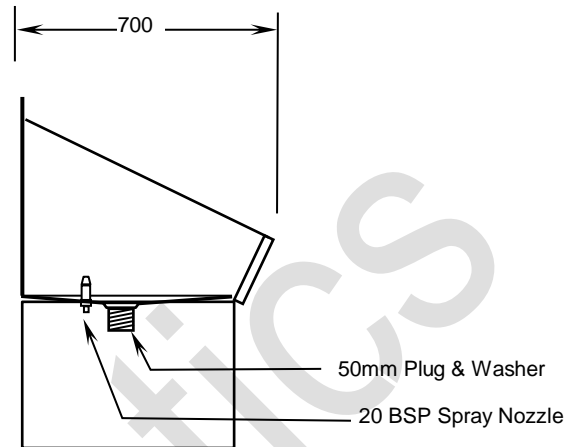
- 50mm trapped outlet
- 15mm water supply with stop tap

Bin Wash Trough

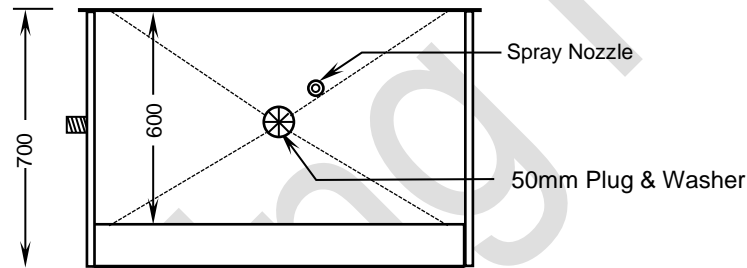
With Sump



FRONT ELEVATION



SECTION VIEW



PLAN VIEW

Connect spray nozzle to tap with flexible hose
Connect pump outlet to waste according to local regulations
Connect plug from pump to weather proof power outlet (power lead can pass through gap between sump and trough)

NOTES:

- The entire trough is constructed of Polypropylene (PP).
- Maximum recommended load must not exceed 25kg.
- 50mm Plug & Washer
- Spray Nozzle supplied fitted to a 20mm threaded nipple.
- 40mm BSPF socket from pump outlet.
- Pump fitted inside the sump – top of wash trough can be removed to access the pump.
- Water supply pipe and fittings not included.
- Trap and drainage pipework is not included.
- The relevant authority must approve the proposed location of a Bin Wash Trough prior to its installation.

For further information, contact...

Ph 03 9587 2297

Viking Plastics Engineering Pty Ltd
143 Woodlands Drive Braeside Vic 3195

E info@vikingplastics.com.au

July 2017

Fx 03 9587 1172