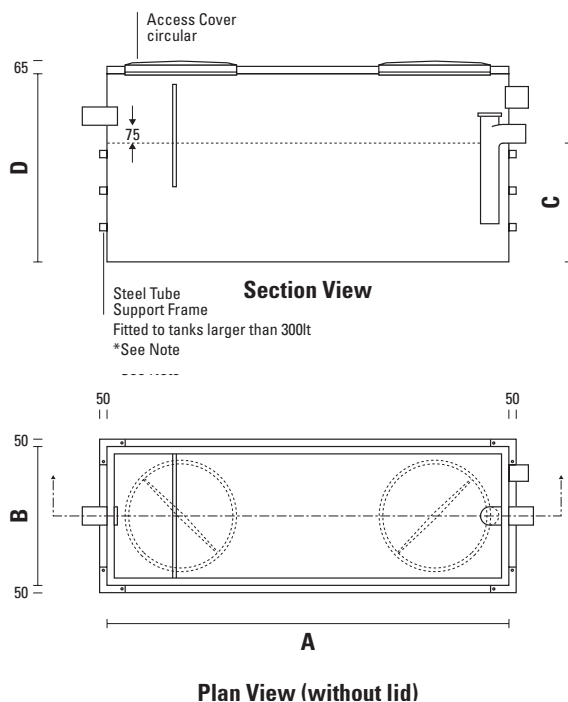


- > above-ground installation.
- > required in commercial food preparation areas.
- > the function of a grease trap is to slow the flow of warm/hot greasy water thus allowing it to cool. As the water cools, the grease and oil separate and float to the top, solids to settle on the bottom of the tank and the cleaner/cooler water flows out to sewer.

Above-ground

Capacity litres	External Tank Dimensions mm			
	Length	Width	Water	Height
100	600	400	400	600
150	700	470	470	670
200	800	500	500	700
250	900	530	530	730
250a	1200	530	400	600
300	1120	600	450	750
350	1120	600	530	820
400	1250	600	550	850
500	1250	750	550	850
600	1250	750	660	960
700	1250	750	770	1070
750	1500	750	680	980
800	1500	750	730	1030
900	1500	900	680	980
1000	1500	900	760	1060
1100	1500	900	830	1130

Sizes over 1100lt supplied in Paneltim

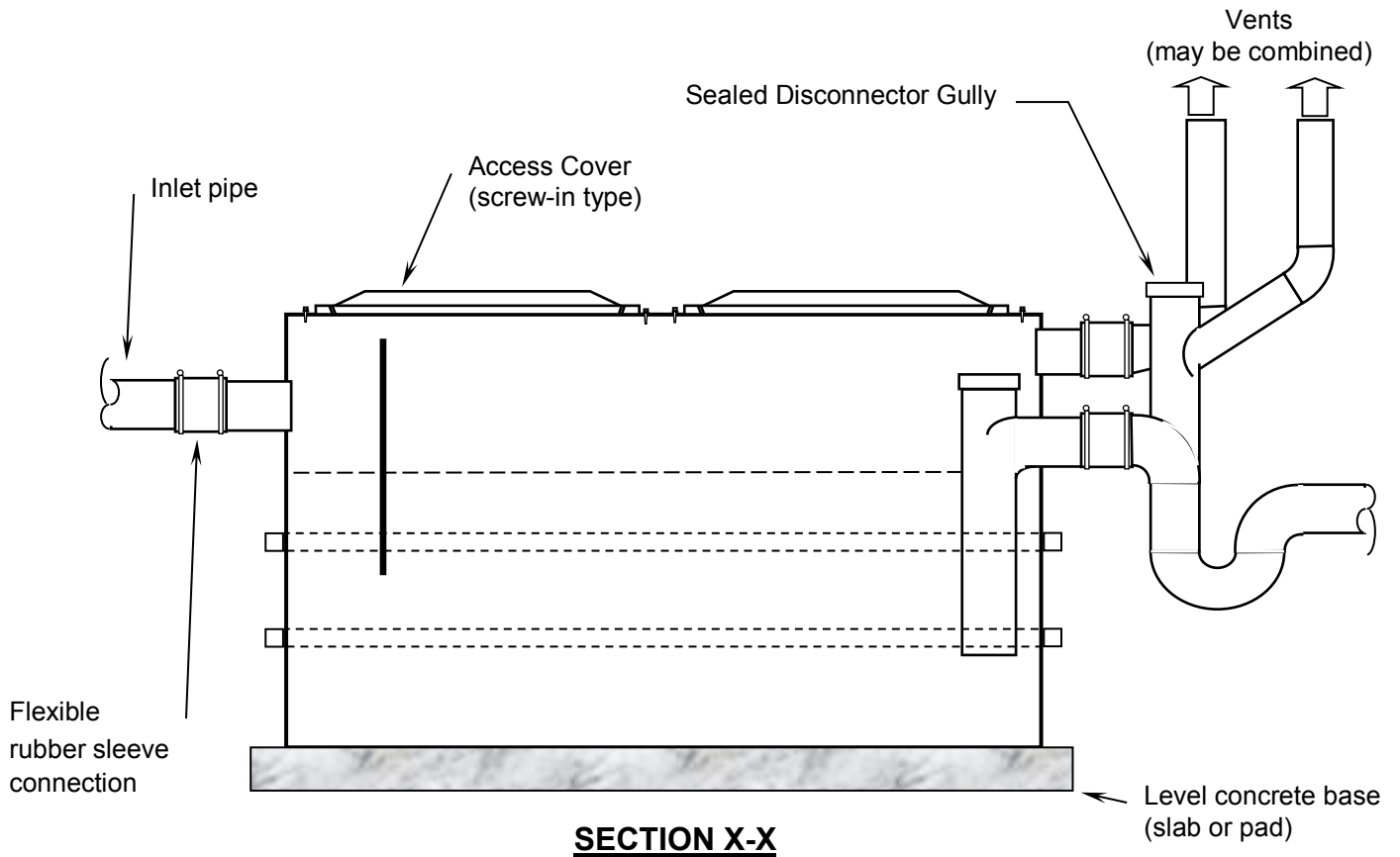


Grease Trap (Interceptor) model VP9-2

For above-ground installations

- > Manufactured from PVC and Polypropylene (PP) materials, this tank is suitable for above-ground installations only
- > Standard tanks are fitted with 100mm nb. Inlet Outlet and Vent
- > Circular screw-in access covers are fitted to the top lid that is screw fixed to the tank flange
- > Tank dimensions and pipe positions conform to Trade Waste recommendations but may be arranged to suit the installation requirement
- > When space limitations dictate, equivalent capacity tanks can be manufactured to order
- > *Note: Tanks larger than 250 litres capacity have external steel support frame fitted. Allow 50mm all round
- > External tank height dimension (D) does not include height of lids (65mm)

Typical Above Ground Tank installation



NOTE: Baffle and internal pipe configurations vary according to tank type capacity and/or customer requirements. All attempts should be made to ensure external connections correspond as close as possible to these drawings.

Installation and approval conditions may vary from region to region. This information is provided as a guide only for a typical above-ground tank installation. The pipe connection diagram is for indicative purposes only. Viking Plastics reserves the right to alter or change information at any time and without notice.

INSTALLATION & CLEANING GUIDELINES

ABOVE GROUND TANKS

The information provided herein is informative only and it applies to the above-ground installation of plastic fabricated Trade Waste Pre-Treatment Tanks. As rules and regulations differ from region to region, prior to proceeding we recommend the installing person verify that the procedures mentioned in this document satisfy the requirements of the local Authorities.

Trade Waste Authorities state that above-ground tanks must be installed on a level concrete pad.

Any portion of a tank installed below ground should be surrounded with a minimum of 100mm thick concrete – walls and base.

Siting Considerations

1. The tank should be located as close as practical to the source of contaminated water.
2. Ensure ease of accessibility for maintenance.
3. A water tap for the purpose of wash-down should be located nearby and must be fitted with backflow prevention device.
4. Grease Traps should not be installed in direct sunlight.

Site Preparation

5. Verify that inlet, outlet and vent pipe levels match the level of the pipe spigots on the tank.
6. If not already in place pour or install a level concrete pad for the tank to sit on. The concrete should be a minimum of 28mpa. Tanks in excess of 2000lt should have a pad at least 100mm thick.
7. The concrete slab or pad must support the entire length and width of the tank.
8. Do not remove the steel support frame (if fitted) from the tank.
9. If the tank is installed in an area exposed to vehicle traffic, bollards should be positioned to protect the tank.

Connections

10. Connections to be in accordance with Trade Waste and Plumbing Industry Commission guidelines and to comply with ASNZ3500.2.
11. The Trade Waste department of the local water authority must approve all grease trap and trade waste interceptor installations prior to work commencing. Interceptors installed without approval may not be accepted for use.

Grease Trap Cleaning

12. Clean outs to be performed in accordance with the trade waste agreement with your local water authority.
13. The contractor is to un-screw the screw-in access cover (if fitted).
14. Contents to be pumped out via the suction hose attached to the pump truck.
15. With the suction hose still inside the tank chamber the entire internal surface is to be hosed down to remove residual grease build up.
16. Tank walls may be scrapped down to remove any solid accumulation.
17. Lid seals should be wiped clean, the seal checked for integrity and the screw-in access covers replaced or clamp down lids reinstalled.