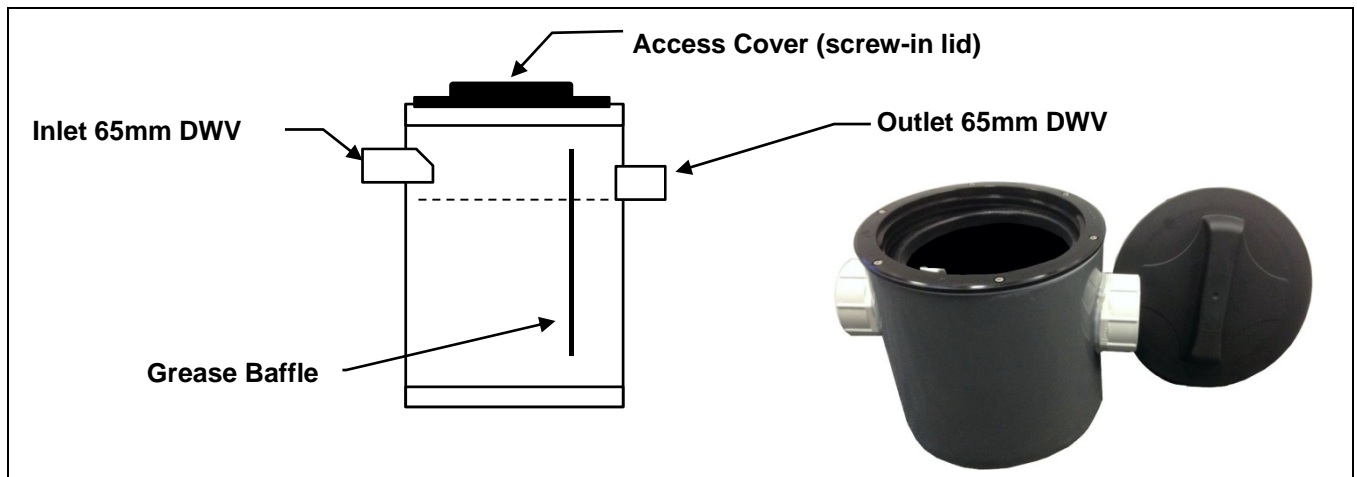


# INSTALLATION & CLEANING GUIDELINES

## DOMESTIC GREASE TRAP – 45lt – Above Ground



### Tank Connections

- Ensure the tank being installed is fit for purpose. (ie: collection of greasy waste from a domestic kitchen).
- This interceptor is designed for above ground installation. It should be placed on a level concrete pad to support it.
- Below ground interceptors are also available.
- Ensure tank will fit in space provided.
- Ensure there is sufficient room above the tank (approx. 300mm) to allow removal of the **Access Cover** and to clean and maintain the tank (see below).
- Connect sink waste to the tank **Inlet** nozzle (use rubber sleeve joiners).
- Connect tank **outlet** to waste in accordance with plumbing regulations.

### Cleaning Guidelines

Grease Interceptors (traps) should be checked and maintained regularly to ensure trouble-free service.

The interceptor is designed to collect greasy waste from a domestic kitchen. The greasy waste and oils will float to the surface and be prevented from discharging from the tank by the outlet baffle. Food scraps and particles will tend to collect in the bottom of the trap and will need to be removed manually. The waste product would not normally be regarded as hazardous and may be suitable for disposal in a general waste collection bin. However, the waste product and liquid contained in the tank is the product of whatever has been fed to the tank and we recommend this point be considered before accessing the tank at all.

- Cleaning of the tank should be performed by a competent person
- Wear any appropriate PPE (gloves, safety glasses, breathing mask, etc.)
- Remove the screw-in **Access Cover**.
- Remove greasy waste and discard according to local regulations.
- If the tank has a drain fitted, open the valve and flush residue into a bucket for disposal.
- Replace access cover.
- Make sure drain valve is closed (if fitted).

Model (Jul 2016)	Capacity (litres)	Diameter	Height	Inlet dia	Inlet level	Outlet dia	Outlet level
<b>VP9AG45</b>	45	450	450	65	350	65	300

# INSTALLATION & CLEANING GUIDELINES

## DOMESTIC GREASE TRAP – Below Ground



### Tank Connections

- Ensure the tank being installed is fit for purpose. (ie: collection of greasy waste from a domestic kitchen).
- This interceptor can be installed below ground. It can be back-filled with non-compactable fill. (see separate installation spec sheet)
- Ensure tank will fit in space provided.
- Ensure there is sufficient room above the tank (approx. 300mm) to allow removal of the **Access Cover** and to clean and maintain the tank (see below).
- Connect sink waste to the tank **Inlet** nozzle (use rubber sleeve joiners).
- Connect tank **outlet** to waste in accordance with plumbing regulations.
- Tank is not to be installed in areas subject to vehicle traffic of any kind.

### Cleaning Guidelines

Grease Interceptors (traps) should be checked and maintained regularly to ensure trouble-free service.

The interceptor is designed to collect greasy waste from a domestic kitchen. The greasy waste and oils will float to the surface and be prevented from discharging from the tank by the outlet baffle. Food scraps and particles will tend to collect in the bottom of the trap and will need to be removed manually. The waste product would not normally be regarded as hazardous and may be suitable for disposal in a general waste collection bin. However, the waste product and liquid contained in the tank is the product of whatever has been fed to the tank and we recommend this point be considered before accessing the tank at all.

- Cleaning of the tank should be performed by a competent person
- Wear any appropriate PPE (gloves, safety glasses, breathing mask, etc.)
- Remove the **Access Cover**.
- Remove greasy waste and discard according to local regulations.
- Replace access cover.

Model (Jul 2016)	Capacity (litres)	Length INT	Width INT	Height INT	Inlet dia	Inlet invert	Outlet dia	Outlet invert
<b>VP9BG100</b>	100	600	400	600	100	450	100	400
<b>VP9BG150</b>	150	700	450	700	100	550	100	500
<b>VP9BG200</b>	200	800	500	700	100	550	100	500
<b>VP9BG300</b>	300	900	600	800	100	650	100	600