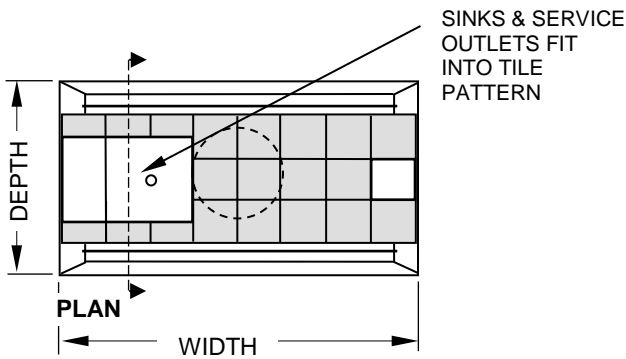
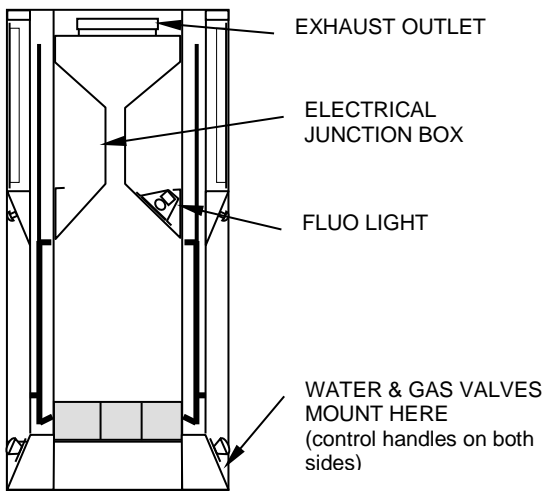


ELEVATION



PLAN



SECTION

MODEL NO:	325 Type C	
TYPE:	A. No sash	
	B. Single sided	
	C. Double sided	ü
DIMENSIONS:		
OVERALL	Width	1200
	Depth	750
	Height	1650
BASE:	Acid resistant tiles	ü
	PVC	
	Stainless steel	
	Other	
SASH:	Clear PVC	ü
	Toughened Glass	
SINK:	150 dia Pot sink	
	300 x 300 x 200 deep	ü
SERVICES:	Cold water	ü
	Hot water	ü
	Gas	
	Compressed air	
	Nitrogen	
	Oxygen	
	Vacuum	
	Other	
SERV.VALVE:	At outlet	
	Remote	ü
	On bench fascia	
	On F/Cupboard sub-base	ü
PWR OUTLET:	Double GPO	ü
	Cable gland (side wall)	
CONTROLS:	ACS 1200	ü
	Fan / Light switch only	
LIGHT:	Twin 18W	ü
	Twin 36W	

PROJECT: Padua College

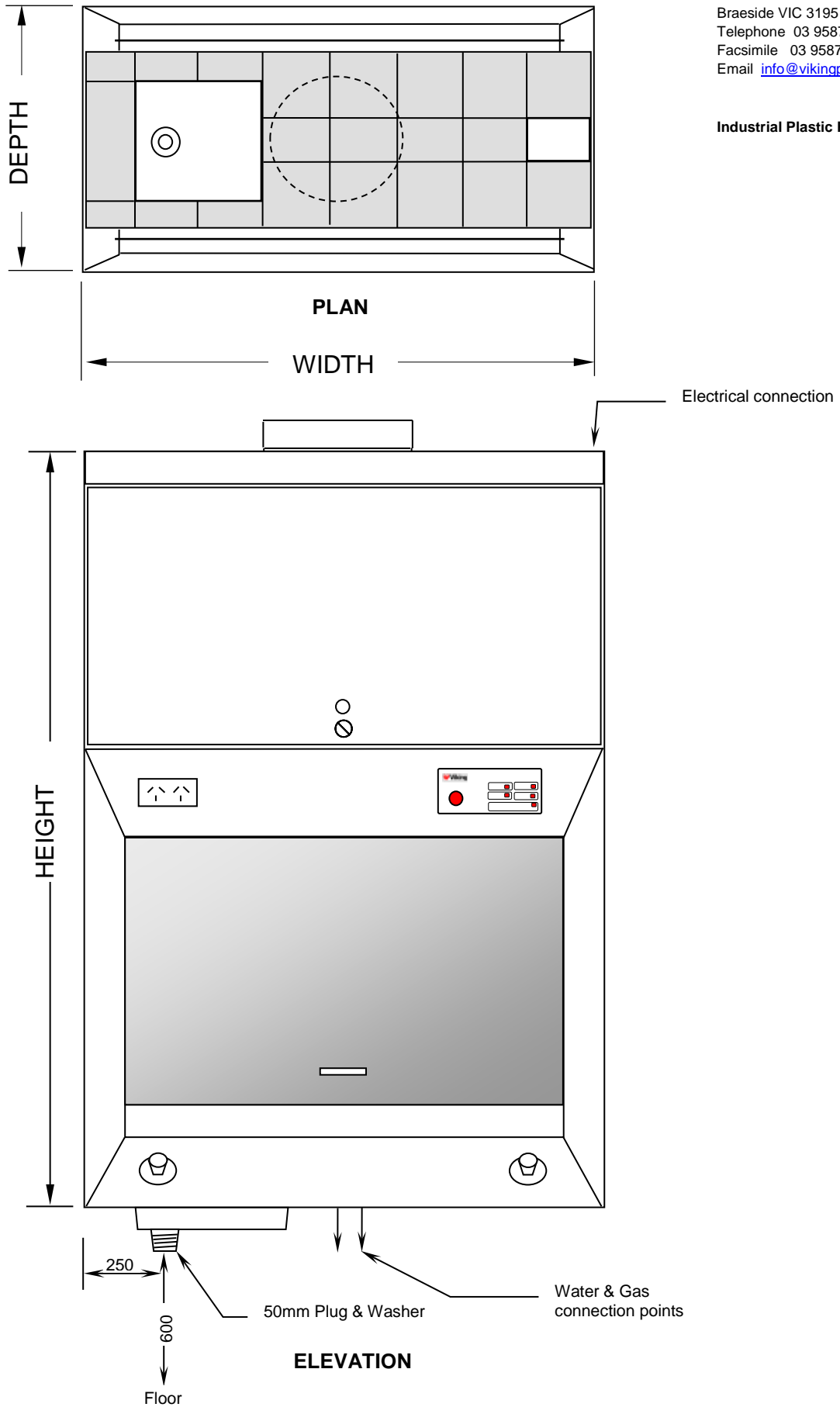
ADDRESS: Oakbank Road
Mornington 3931

CONTACT: Bart Ryan

TELEPHONE: 0418 994488

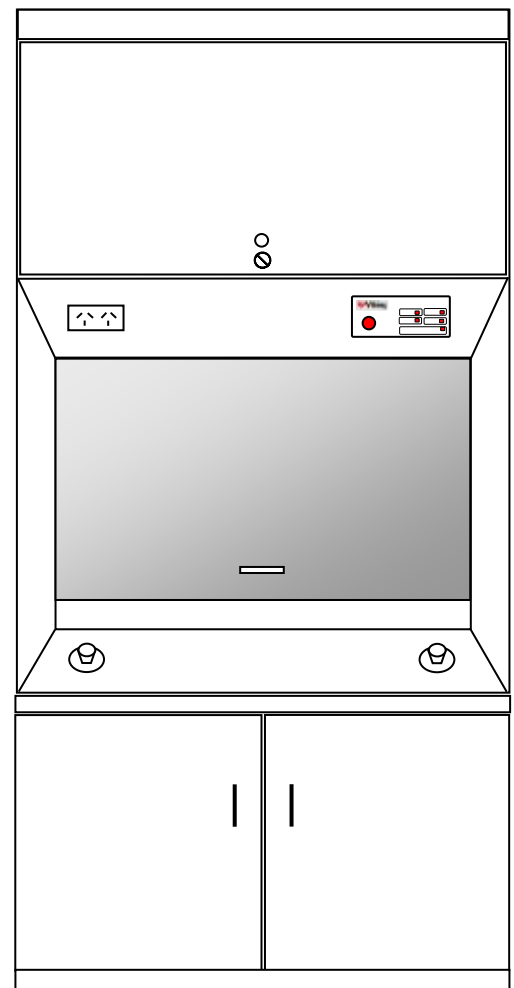
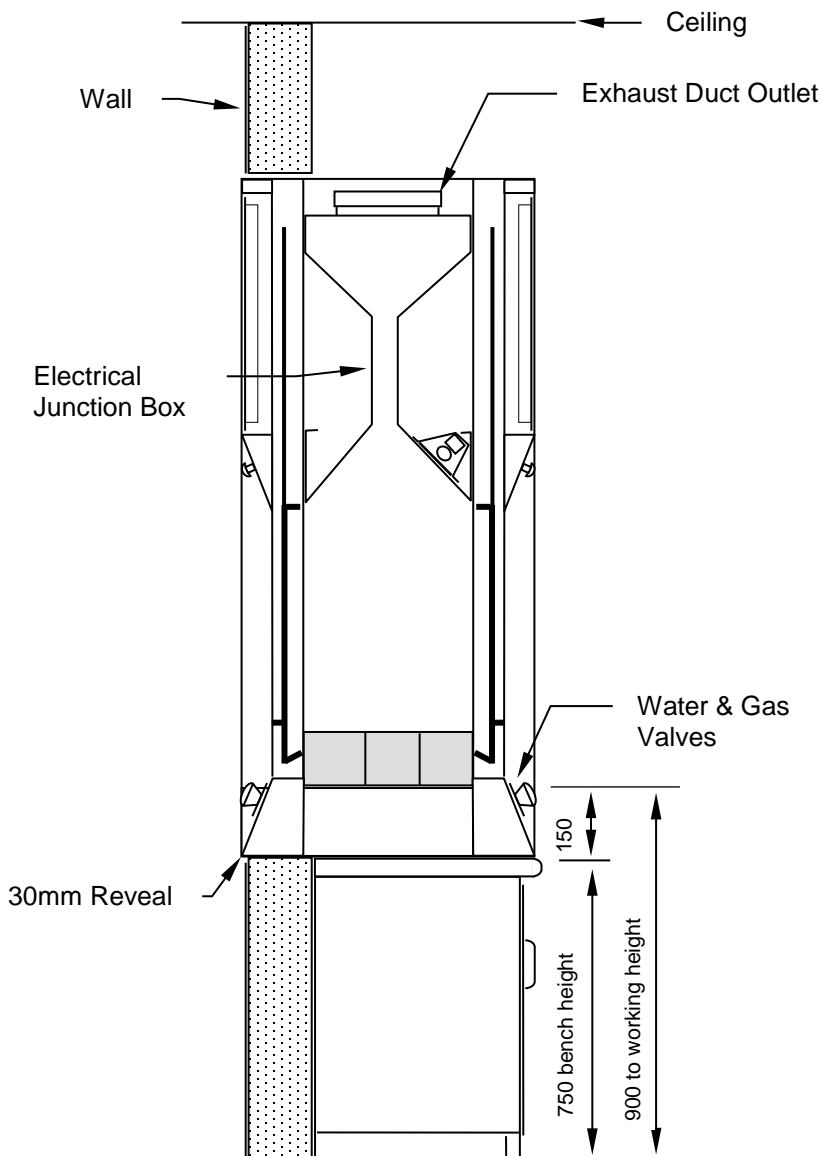
EMAIL: bryan@padua.catholic.edu.au

DATE: 12 September 2013

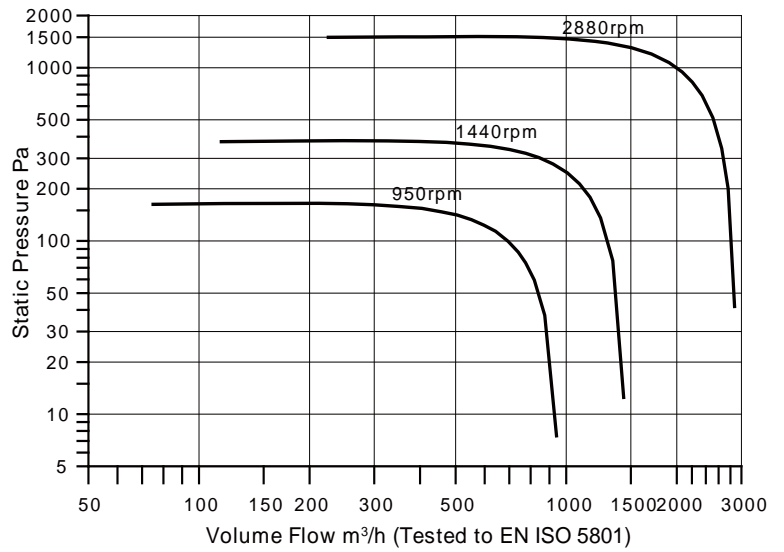


Fume Cupboard Support Bench Detail

Double-Sided.



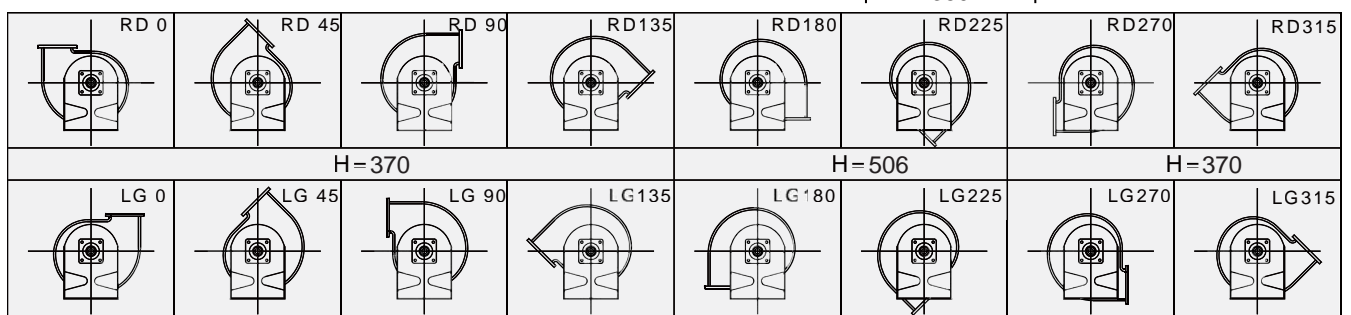
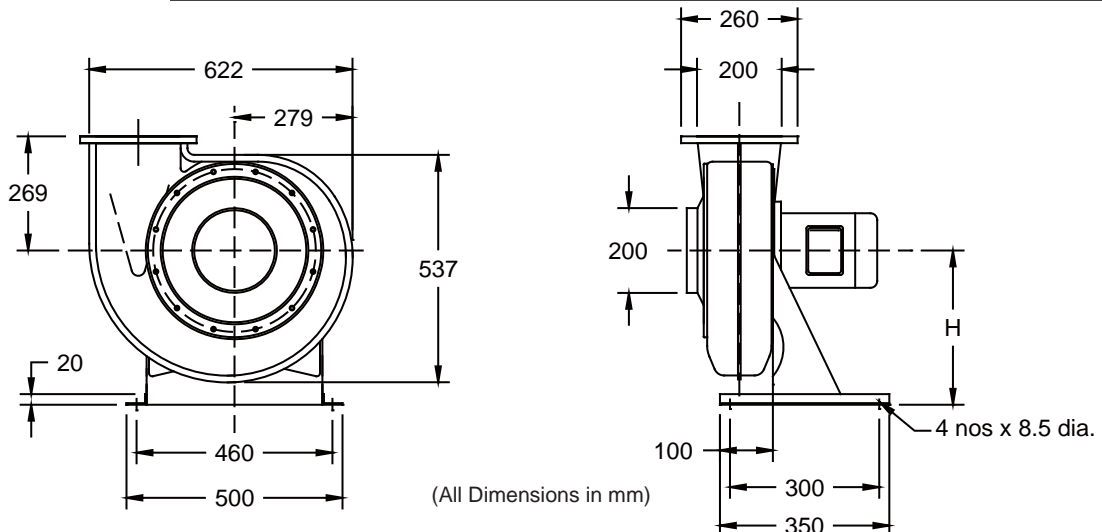
CHEM 200



Performance Data

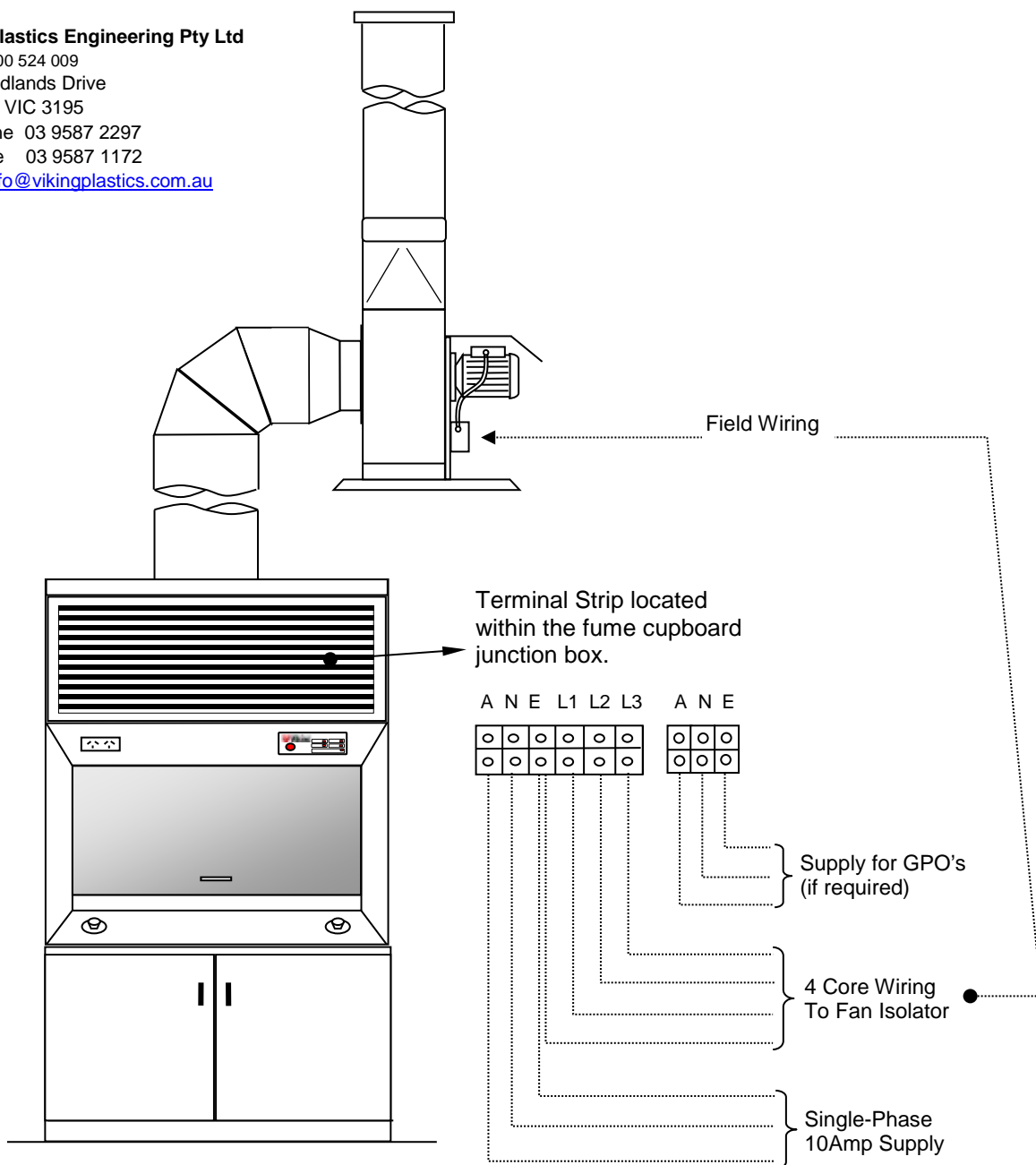
CHEM 200		950rpm	950rpm	1440rpm	1440rpm	2880rpm	2880rpm
U	V	230	400	230	400	230	400
f	Hz	50	50	50	50	50	50
Phase	~	1	3	1	3	1	3
P	kW	0.25	0.25	0.37	0.37	1.5	1.5
I _a	A	2.6	1.27	3.2	1.21	11	3.18
\dot{V}_{max}	m³/h	950	950	1438	1438	2870	2870
n	min ⁻¹	950	950	1440	1440	2880	2880
L _w	dB(A)	44	44	53	53	70	70
4	Enclosure	TEFC	TEFC	TEFC	TEFC	TEFC	TEFC
Freq Invertor (page II)	-	-	F1S/F1	-	F1S/F1	-	F2S/F2
)	kg	34	34	34	34	43	43

Dimensional Data





Viking Plastics Engineering Pty Ltd
ABN 61 500 524 009
143 Woodlands Drive
Braeside VIC 3195
Telephone 03 9587 2297
Facsimile 03 9587 1172
Email info@vikingplastics.com.au



Wiring Diagram