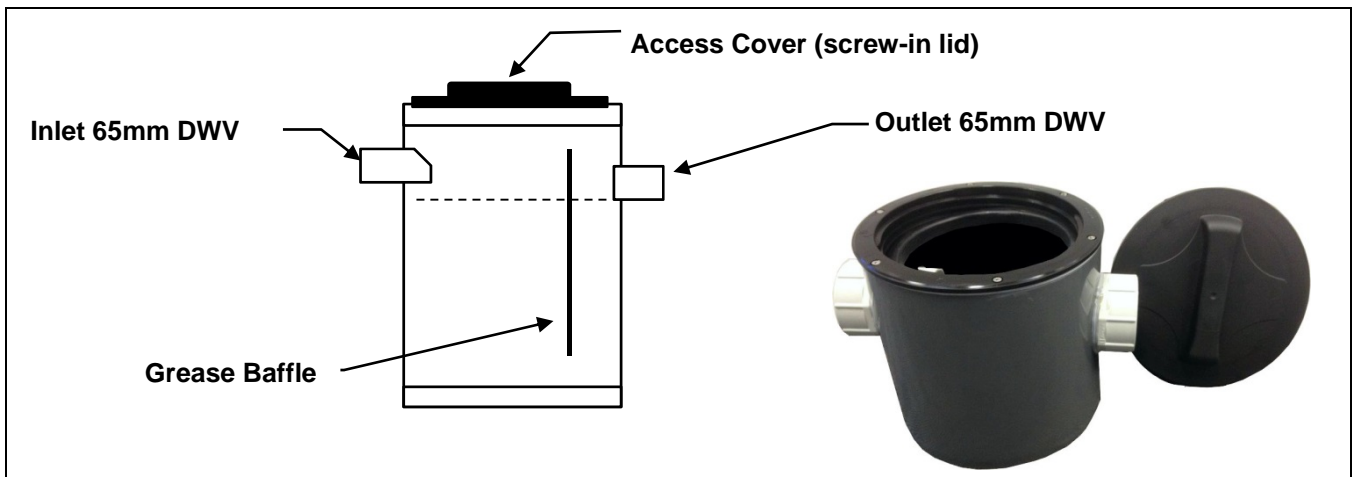


INSTALLATION & CLEANING GUIDELINES

DOMESTIC GREASE TRAP – 45lt – Above Ground



Tank Connections

- Ensure the tank being installed is fit for purpose. (ie: collection of greasy waste from a domestic kitchen).
- This interceptor is designed for above ground installation. It should be placed on a level concrete pad to support it.
- Below ground interceptors are also available.
- Ensure tank will fit in space provided.
- Ensure there is sufficient room above the tank (approx. 300mm) to allow removal of the **Access Cover** and to clean and maintain the tank (see below).
- Connect sink waste to the tank **Inlet** nozzle (use rubber sleeve joiners).
- Connect tank **outlet** to waste in accordance with plumbing regulations.

Cleaning Guidelines

Grease Interceptors (traps) should be checked and maintained regularly to ensure trouble-free service. The interceptor is designed to collect greasy waste from a domestic kitchen. The greasy waste and oils will float to the surface and be prevented from discharging from the tank by the outlet baffle. Food scraps and particles will tend to collect in the bottom of the trap and will need to be removed manually. The waste product would not normally be regarded as hazardous and may be suitable for disposal in a general waste collection bin. However, the waste product and liquid contained in the tank is the product of whatever has been fed to the tank and we recommend this point be considered before accessing the tank at all.

- Cleaning of the tank should be performed by a competent person
- Wear any appropriate PPE (gloves, safety glasses, breathing mask, etc.)
- Remove the screw-in **Access Cover**.
- Remove greasy waste and discard according to local regulations.
- If the tank has a drain fitted, open the valve and flush residue into a bucket for disposal.
- Replace access cover.
- Make sure drain valve is closed (if fitted).

Model (Jul 2016)	Capacity (litres)	Diameter	Height	Inlet dia	Inlet level	Outlet dia	Outlet level
VP9AG45	45	450	450	65	350	65	300